

# Thermo Scientific Model 82i Mercury Probe Controller

Electronic control of probe temperature, pressure, flow rate and automated functions

The Thermo Scientific™ Model 82i Mercury Probe Controller is one of the four major components of the Mercury Freedom System.

- Microprocessor driven for added automation
- Automates probe calibration
- Enables automated stinger and filter blowback
- Provides power to the probe eliminating the need for power at the stack
- Monitor and regulates pressure using electronic transducers and regulators



The Thermo Scientific Model 82i probe controller is microprocessor-driven and connected by an umbilical to the stack probe and mercury converter. The controller automates probe calibration and dynamic spiking, and confirms auto dilution. It also monitors probe temperature, measures flow rates and pressure in the sampling loop, and enables automated filter blowback.

Designed to meet the provisions of 40CFR Parts 60 and 75, the Mercury Freedom System provides a complete mercury monitoring solution that reports elemental, ionic, and total mercury in exhaust stacks from both coal-fired boilers and waste incinerators.

The Model 82i probe controller also offers the benefits of the iSeries gas analyzer platform.

The iSeries platform features flexible communications, increased serviceability, and an easier to use interface.

Ethernet connectivity provides efficient remote access, allowing the user to download measurement information directly from the instrument without having to be on site. Captive hardware and slide-apart modules allows easy access for service and periodic maintenance.

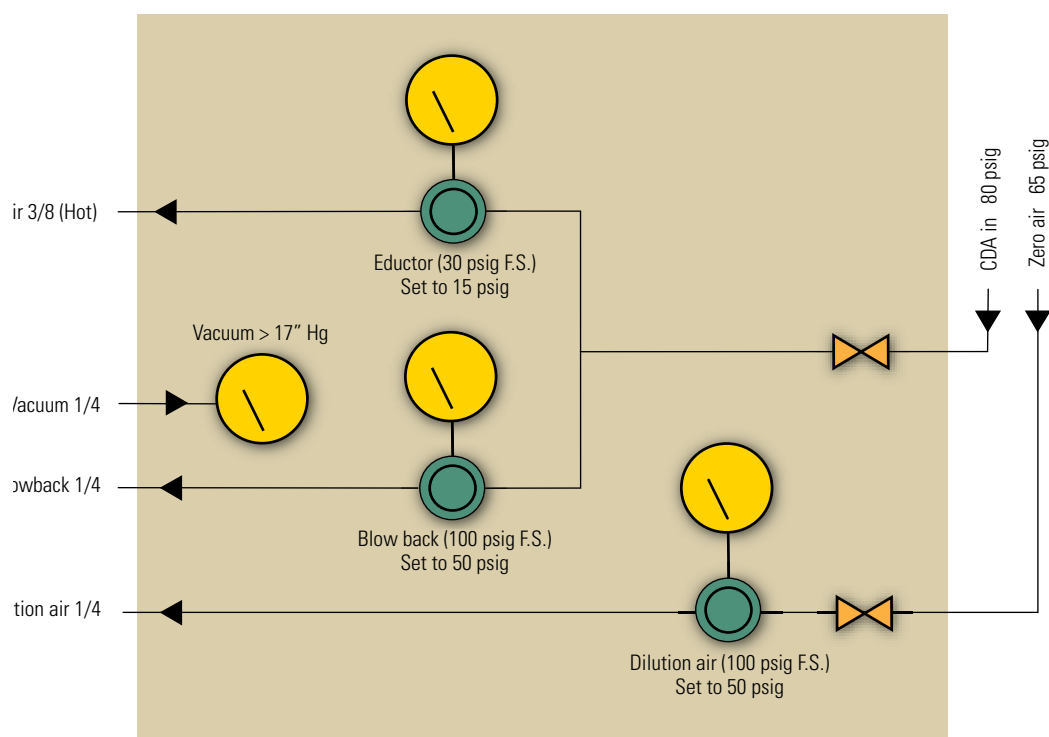
Easy-to-program short-cut keys allow the user to jump directly to frequently accessed functions, menus or screens. The larger interface screen can display up to five lines of measurement information while the primary reporting screen remains visible.



## Thermo Scientific Model 82i Mercury Probe Controller

Operating Temperature	41° to 44°F (5° to 40°C)
Power Requirements	120 VAC, 15 amp circuit 220 VAC, one 15 amp circuit 220 VAC, one 30 amp circuit for <200' line 220 VAC, two 30 amp circuits for >200' line
Size and Weight	16.75" (425 mm) W x 8.62" (H) x 23" (D), 48lbs. 425 mm (W) x 219 mm (H) x 584 mm (D), 21.8 kg
Air Requirements	10 lpm zero air 4 CFM dry air

### Flow Diagram: Model 82i Mercury Probe Controller



To maintain optimal product performance, you need immediate access to experts worldwide, as well as priority status when your air quality equipment needs repair or replacement. We offer comprehensive, flexible support solutions for all phases of the product life cycle. Through predictable, fixed-cost pricing, our services help protect the return on investment and total cost of ownership of your Thermo Scientific products.

For more information, visit our website at [www.thermoscientific.com/air](http://www.thermoscientific.com/air)

© 2012 Thermo Fisher Scientific Inc. All rights reserved. All trademarks are the property of Thermo Fisher Scientific Inc. and its subsidiaries. Specifications, terms and pricing are subject to change. Not all products are available in all countries. Please consult your local sales representative for details.

This product is manufactured in a plant whose quality management system is ISO 9001 certified.

<b>USA</b> 27 Forge Parkway Franklin, MA 02038 Ph: (866) 282-0430 Fax: (508) 520-1460 <a href="mailto:customerservice.aqi@thermofisher.com">customerservice.aqi@thermofisher.com</a>	<b>India</b> C/327, TTC Industrial Area MIDC Pawane New Mumbai 400 705, India Ph: +91 22 4157 8800 <a href="mailto:india@thermofisher.com">india@thermofisher.com</a>	<b>China</b> +Units 702-715, 7th Floor Tower West, Yonghe Beijing, China 100007 +86 10 84193588 <a href="mailto:info.eid.china@thermofisher.com">info.eid.china@thermofisher.com</a>	<b>Europe</b> Takkebijsters 1 Breda Netherlands 4801EB +31 765795641 <a href="mailto:info.aq.breda@thermofisher.com">info.aq.breda@thermofisher.com</a>
---	--	---	---